

# The Citation S/11/S

---

## Remote Switching Control

## Introduction

The Citation S/11/S was developed for use with the Citation 11 to allow operation of its speaker switch with amplifiers of high power output. The S/11/S, using high current, long life silver/cadmium oxide contacts, utilizes the switching logic of the Citation 11 to remotely control speakers during switching when high power amplifiers are used.

The instructions within this manual describe the use of the Citation S/11/S with the Citation 11 preamplifier and the Citation 16 power amplifier rated at 150 watts RMS per channel. The S/11/S can of course be used with any other high power amplifier capable of developing up to 800 watts per channel into an 8 ohm load, or 400 watts per channel into a 4 ohm load.

Read each section of this manual and the manuals of your Citation 11 and associated power amplifier before you proceed. This will insure that you make the right connections the first time, thus shortening the time required for installation.

Before proceeding with the connection of the S/11/S, there is one other item that you should take care of. Since you have just purchased the unit, you should still have the **bill of sale**. Make sure it is clearly marked showing the date of purchase. Now look on the bottom panel of the S/11/S and locate the serial number. Record this number on the bill of sale and then put it away in a safe place for future reference. This number will be important if your unit requires warranty service. It may also prove a useful identification if your unit becomes subject to theft. Also remember to fill out and mail in your registration card.

**Warning: To prevent fire or shock hazard, do not expose this appliance to rain or moisture.**

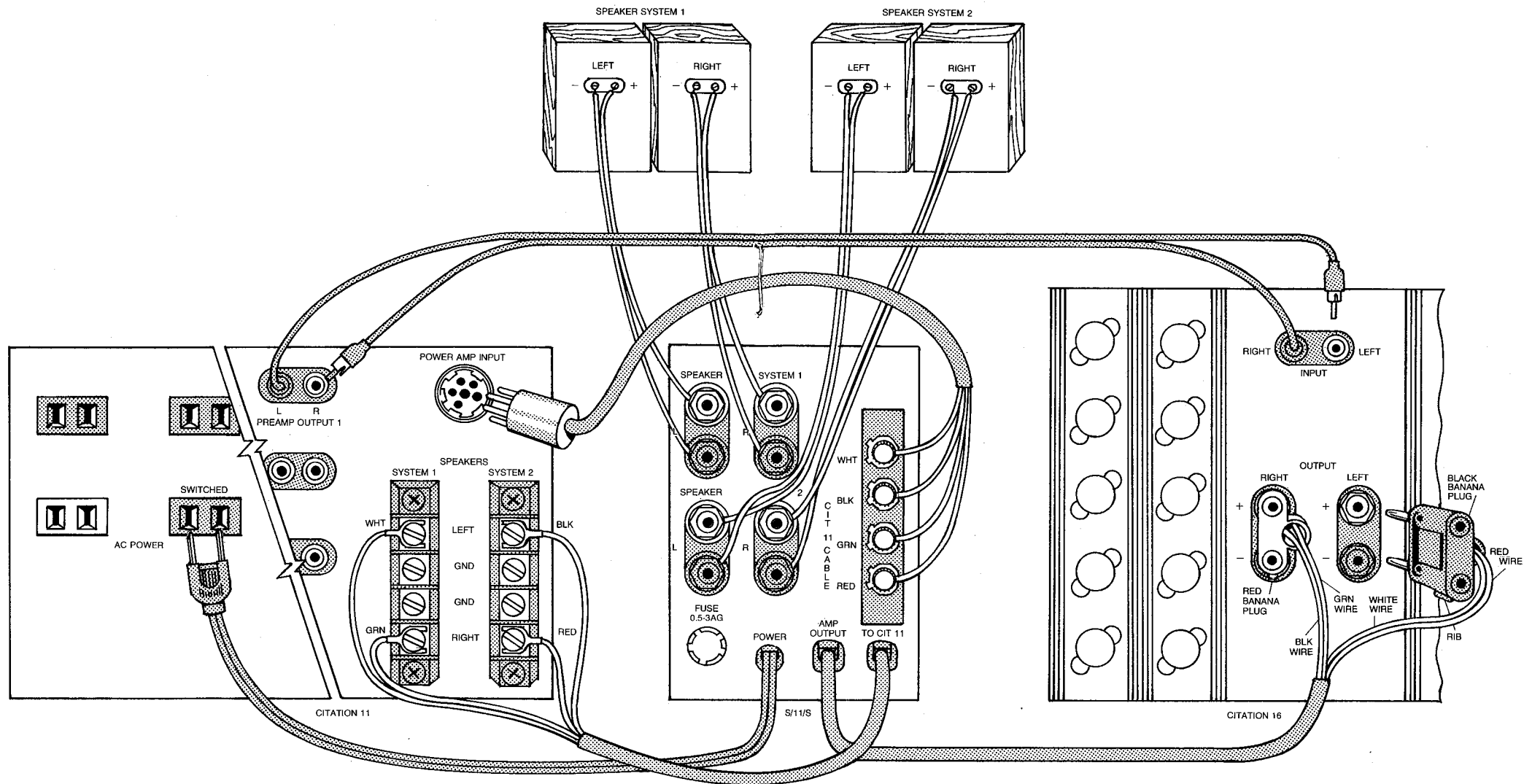
## Connecting the S/11/S

Before proceeding, make certain that the S/11/S, the Citation 11 and the Citation 16 are **disconnected** from AC or mains power.

The instructions preceding the paragraph marked **Cable Connection** are **only** for those who have purchased the S/11/S after their Citation system was originally installed. If you purchased the S/11/S together with the Citation 11 and Citation 16 and are proceeding with your initial installation, disregard this information and proceed to the paragraph headed **Cable Connection**.

The cable originally supplied with the Citation 11 has a 5-pin male connector at one end, four free wires at the other, and should now be connected between the mating receptacle on the Citation 11 and the speaker output terminals of your power amplifier. Disconnect the four ends of this cable from your power amplifier leaving the 5-pin male connector in the receptacle on the rear of the Citation 11.

Remove **all** speaker wires connected to the speaker terminal barrier strips on the rear of the Citation 11.



## Cable Connection

There are two cables and a power cord on the rear of the Citation S/11/S. Identify the cable marked **TO CIT 11** with four spade lug connectors at its end. Connect these four wires as shown in the figure to the speaker terminal barrier strips on the rear of the Citation 11.

Green . . . . . System 1 Right  
 Red . . . . . System 2 Right  
 White . . . . . System 1 Left  
 Black . . . . . System 2 Left

Note that there are no connections to the four (GND) terminal screws on the barrier strips of the Citation 11.

The cable marked **AMP OUTPUT** has two dual "banana plugs" at its end. Note that these "banana plugs" have a "rib" on one edge. This is the "gnd" or - terminal. On the red "banana plug" this is the black

wire, while on the black "banana plug" this is the white wire.

Connect the red "banana plug" to the right speaker terminals of your amplifier and the black "banana plug" to the left speaker terminals. Be careful to observe the positive ("+" and negative ("-" or (gnd) polarity.

If the speaker terminals of your amplifier will not accept dual "banana plugs", they may be removed and the bare wires connected as follows:

Red to Left Channel (+) speaker terminal  
 White to Left Channel (-) or (gnd) terminal  
 Green to Right Channel (+) speaker terminal  
 Black to Right Channel (-) or (gnd) terminal

The Citation 11 is supplied with a cable having a 5-pin male connector at one end

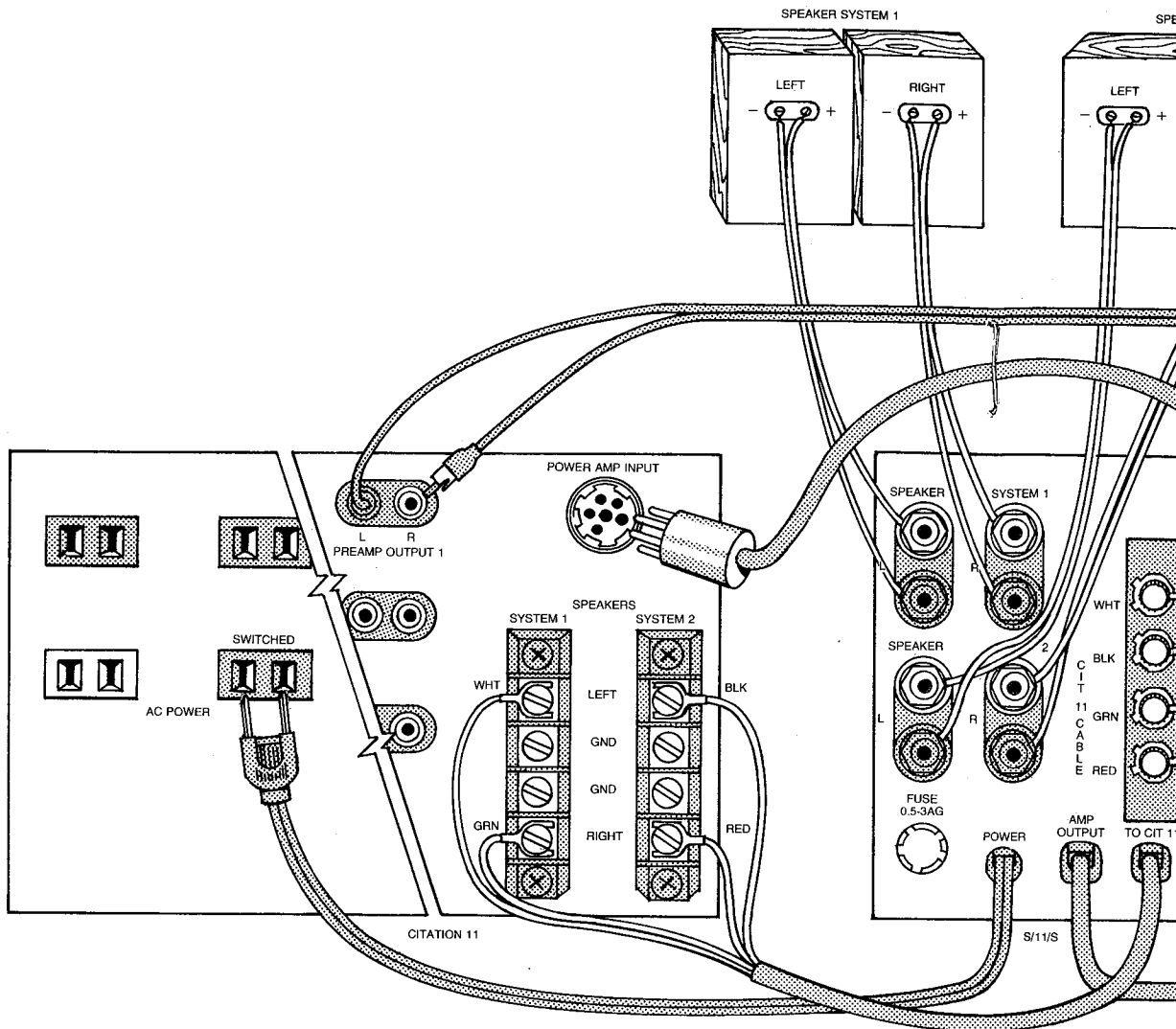
and four free wires at the other. Connect the 5-pin male connector into the mating receptacle on the rear of the Citation 11. Connect the wires at the other end of this cable to the four screw terminals labeled **CIT 11 CABLE** on the rear of the Citation S/11/S. Carefully dress each wire around its corresponding screw and tighten with a flat blade screwdriver. Check to make sure that each wire is separated and not touching its adjacent wire. The correct color code for connections are marked on the rear of the S/11/S.

Connect your first pair of speakers to the System 1 (L and R) and the second pair of speakers to System 2 (L and R) speaker terminal posts on the rear of the Citation S/11/S, making certain you observe the correct polarity.

Connect the power cord from the S/11/S into a "switched" AC receptacle on the rear of the Citation 11.

Complete all other signal and power connections by reading the owner manuals of your preamplifier and power amplifier. **[NOTE: The power cord of the Citation 16 or any other high power amplifier should not be connected to a "switched" outlet on the Citation 11.]**

This completes the connection of the S/11/S into your system. It may now be placed in the space reserved for it. Since its operation is controlled entirely by the Citation 11, frequent access to the S/11/S is not required. Power to the S/11/S is provided by the on/off switch of the Citation 11 and, when activated, an indicator light is illuminated on the front panel. The S/11/S is controlled completely by the speaker selector switch on the Citation 11. The function of the headphone receptacle on the Citation 11 is operative in the **PHONES** position of the Citation 11 Speaker Selector.



## Cable Connection

There are two cables and a power cord on the rear of the Citation S/11/S. Identify the cable marked **TO CIT 11** with four spade lug connectors at its end. Connect these four wires as shown in the figure to the speaker terminal barrier strips on the rear of the Citation 11.

Green . . . . . System 1 Right  
 Red . . . . . System 2 Right  
 White . . . . . System 1 Left  
 Black . . . . . System 2 Left

Note that there are no connections to the four (GND) terminal screws on the barrier strips of the Citation 11.

The cable marked **AMP OUTPUT** has two dual "banana plugs" at its end. Note that these "banana plugs" have a "rib" on one edge. This is the "gnd" or - terminal. On the red "banana plug" this is the black

wire, while on the black "banana plug" this is the white wire.

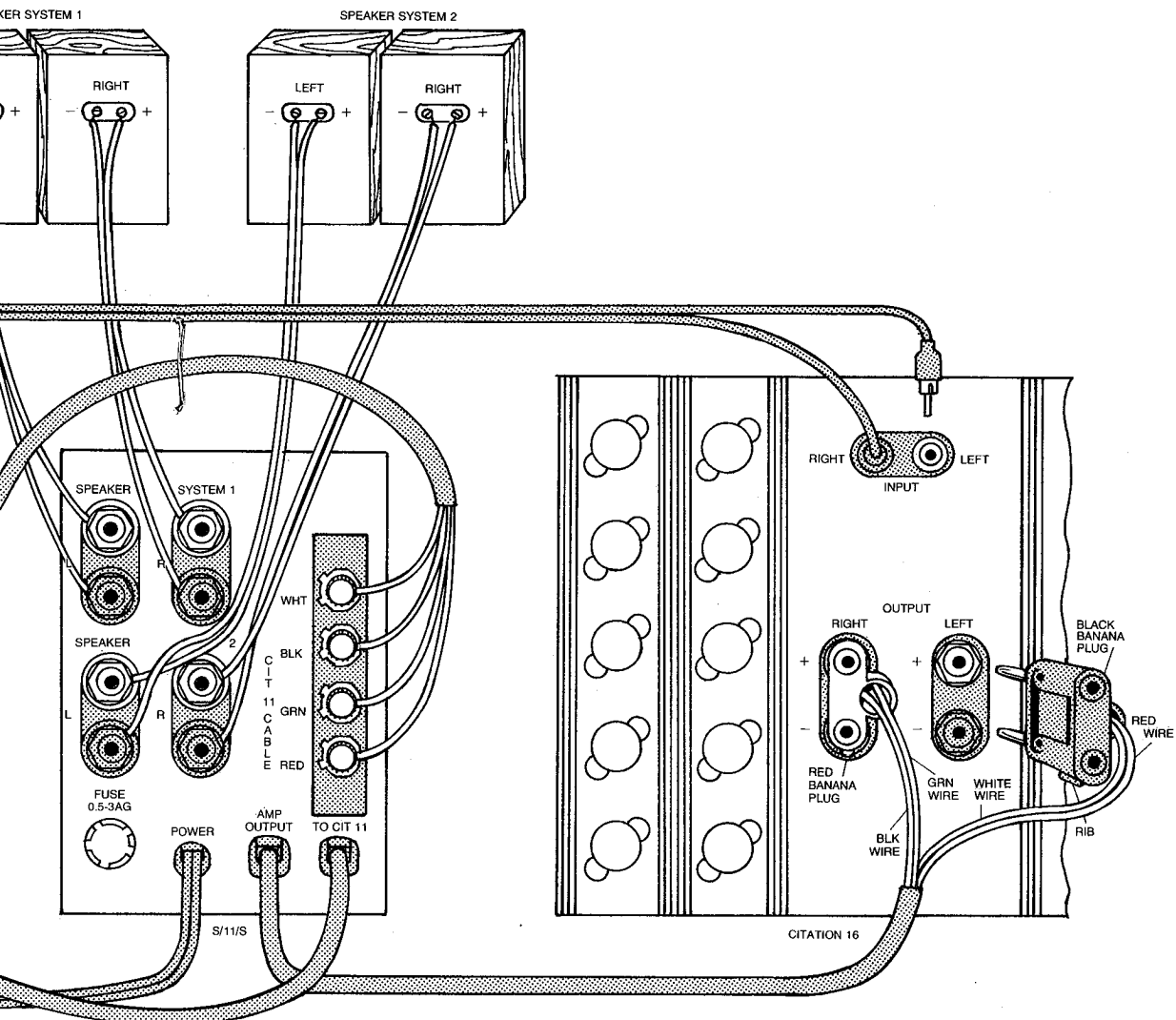
Connect the red "banana plug" to the right speaker terminals of your amplifier and the black "banana plug" to the left speaker terminals. Be careful to observe the positive (" + ") and negative (" - ") or (gnd) polarity.

If the speaker terminals of your amplifier will not accept dual "banana plugs", they may be removed and the bare wires connected as follows:

- Red to Left Channel (+) speaker terminal
- White to Left Channel (-) or (gnd) terminal
- Green to Right Channel (+) speaker terminal
- Black to Right Channel (-) or (gnd) terminal

The Citation 11 is supplied with a cable having a 5-pin male connector at one end

and four  
 the 5-pin  
 receptac  
 Connect  
 cable to t  
**CIT 11 C**  
 S/11/S. C  
 its corres  
 flat blade  
 sure that  
 touching  
 color cod  
 the rear o  
 Connect  
 the System  
 pair of sp  
 speaker t  
 Citation S  
 observe  
 Connect  
 S/11/S int  
 the rear o



and four free wires at the other. Connect the 5-pin male connector into the mating receptacle on the rear of the Citation 11. Connect the wires at the other end of this cable to the four screw terminals labeled **CIT 11 CABLE** on the rear of the Citation S/11/S. Carefully dress each wire around its corresponding screw and tighten with a flat blade screwdriver. Check to make sure that each wire is separated and not touching its adjacent wire. The correct color code for connections are marked on the rear of the S/11/S.

Connect your first pair of speakers to the System 1 (L and R) and the second pair of speakers to System 2 (L and R) speaker terminal posts on the rear of the Citation S/11/S, making certain you observe the correct polarity.

Connect the power cord from the S/11/S into a "switched" AC receptacle on the rear of the Citation 11.

Complete all other signal and power connections by reading the owner manuals of your preamplifier and power amplifier. **[NOTE:** The power cord of the Citation 16 or any other high power amplifier **should not** be connected to a "switched" outlet on the Citation 11.]

This completes the connection of the S/11/S into your system. It may now be placed in the space reserved for it. Since its operation is controlled entirely by the Citation 11, frequent access to the S/11/S is not required. Power to the S/11/S is provided by the on/off switch of the Citation 11 and, when activated, an indicator light is illuminated on the front panel. The S/11/S is controlled completely by the speaker selector switch on the Citation 11. The function of the headphone receptacle on the Citation 11 is operative in the **PHONES** position of the Citation 11 Speaker Selector.

# Specifications

<b>Switching Capacity:</b>	Up to 800 watts per channel at 8 ohms or more each.
<b>Number of Stereo Systems Switched:</b>	2
<b>Power requirements:</b>	100-120 VAC, 50/60 Hz or 220-250 VAC, 50/60 Hz (Export)
<b>Dimensions:</b>	4"W x 10½"D x 5½"H (10.2 cm W x 26.7 cm D x 14 cm H)
<b>Weight:</b>	4 pounds, 12 ounces (2.16 kg)

## Limited Two (2) Year Warranty and Service Policy

### Policy

We warrant this product to be free from defects in material and workmanship under normal use and service, and in accordance with conditions set forth below. Should a defect occur within the period specified, and provided that the unit is returned to either Harman/Kardon or an authorized Harman/Kardon warranty station, transportation prepaid, and which our examination shall disclose to our satisfaction to be defective, we will, for a period of **two (2) years** from date of purchase, either replace or repair and install any defective parts of this product free of charge.

### Exceptions

This warranty does not include any obligation as to: transportation charges to and from the factory or an authorized warranty station.

### Registration

To obtain service under the terms of this policy, it is necessary for you to retain your **original bill of sale**. The enclosed registration card will **not** be considered proof of purchase.

In the event your equipment requires service during the warranty period, only presentation of your original bill of sale to either a factory-authorized repair agency or the factory itself will insure your rights under the policy, as outlined in this manual.

This warranty is not applicable to any instrument which shall have been repaired or altered in any way so as, in our judgment, to affect its stability or reliability or which has been subject to neglect, misuse, abuse, negligence, or accident; or which has had the serial number altered, effaced or removed. Neither shall this warranty apply to any instrument which has been connected other than in accordance with instructions furnished by us.

### Service

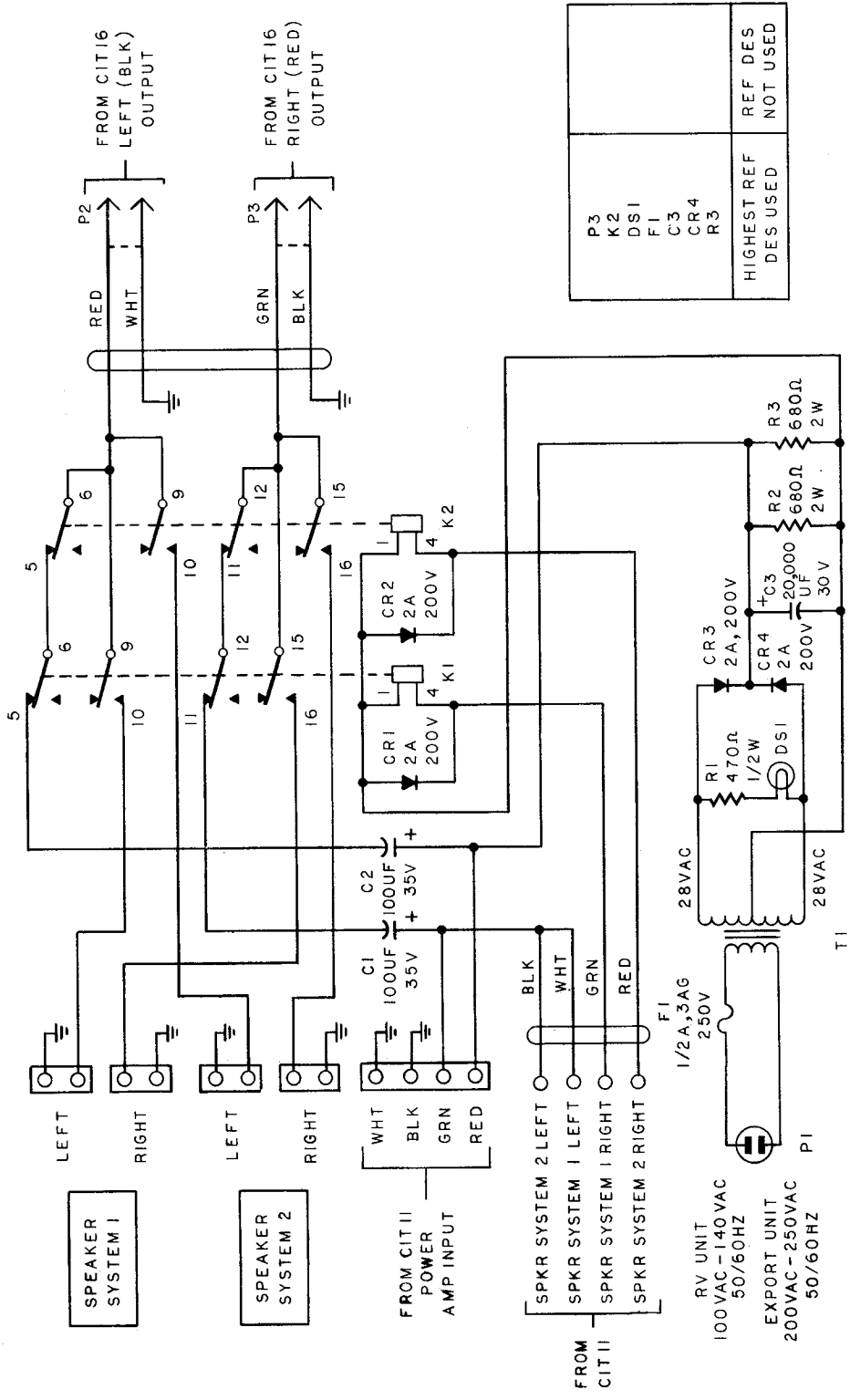
Harman/Kardon has a special customer service division to answer all questions pertinent to the installation and operation of your unit. Please feel free to write to us at any time and we shall endeavor to offer prompt and complete advice.

If your problem cannot be resolved through our combined efforts, we may wish to refer you to a local authorized repair agency or we may prefer to authorize the return of your unit to the factory. In the event it must be returned, an authorization form and proper packing instructions will be forwarded to you. This authorization form **must be returned** with your unit.

**Under no circumstances should your unit be shipped to the factory without prior authorization.**

The duration of implied warranties is **two (2) years**. Our obligation under any warranty, express or implied, is limited to repair or replacement of any unit found to be defective. Under no circumstances shall we be liable for incidental or consequential damages.

# SCHEMATIC DIAGRAM



P3	HIGHEST REF DES USED	REF DES NOT USED
K2		
DS1		
F1		
C3		
CR4		
R3		

RV UNIT  
100VAC - 140 VAC  
50/60HZ

EXPORT UNIT  
200VAC - 250VAC  
50/60HZ

28VAC

28VAC

T1

R1 470Ω

DS1

CR3 2A, 200V

CR4 2A 200V

C3 20,000 UF 30V

R2 680Ω 2W

R3 680Ω 2W

FROM CIT II

SPKR SYSTEM 2 LEFT

SPKR SYSTEM 1 LEFT

SPKR SYSTEM 1 RIGHT

SPKR SYSTEM 2 RIGHT

F1

1/2A, 3AG 250V

C1 100UF 35V

C2 100UF 35V

CR1 2A 200V

CR2 2A 200V

K1

K2

LEFT

RIGHT

LEFT

RIGHT

WHT

BLK

GRN

RED

SPEAKER SYSTEM 1

SPEAKER SYSTEM 2

FROM CIT II POWER AMP INPUT

FROM CIT I 16 LEFT (BLK) OUTPUT

FROM CIT I 16 RIGHT (RED) OUTPUT



# CHASSIS PARTS LIST

CIRCUIT REF. NO.	H/K PART NO.	DESCRIPTION
<b>CAPACITOR, LYTIC</b>		
C1, 2	31818792	100UF, 35V
C3	31129074	20,000UF, 30V
<b>RELAY</b>		
K1, 2	13031130	Potter Brumfield R10-E3612-1
<b>DIODE</b>		
CR1, 2, 3, 4	41029089	2A, 200V
<b>TRANSFORMER</b>		
T1	10131122	Transformer, Pwr.
<b>MISCELLANEOUS</b>		
F1	45031348	Fuse, 1/2A, 3AG, 250V MDL Slo-Blo
	53031409	Cable, 4 Cond.
P2	65431064	Plug, Male, Banana, 2 Term, Blk.
P3	65431103	Plug, Male, Banana, 2 Term, Red
	65631124	Spade Lug #6
	61626346	Lamp Holder, Molded, Red
DS1	46528051	Lamp 12V/60MA
	65427001	Fuse Holder
	53029083	Line Cord
	62029686	Foot, Mounting
<b>EXPORT</b>		
<b>TRANSFORMER</b>		
T1	10131123	Transformer, Pwr.

NOTE: To speed handling of your order be sure to include both the model and serial numbers, in addition to the quantity, part number and part description of the items ordered. Orders from independent dealers, independent servicemen, and retail customers will be shipped on a cash in advance basis. Harman/Kardon reserves the right to substitute equivalent parts for those originally installed in this chassis. All parts should be ordered from Harman/Kardon, 55 Ames Court, Plainview, L.I., N.Y. 11803, Att: Parts Department.

## CITATION S/11/S